



Christy Vault Company, Inc

**P R O D U C T
C A T A L O G**



Christy Vault Company, Inc. has been proudly providing the funeral & cemetery industry with quality service & products since 1948.

“A company built to last must be built to change”



Since its humble beginnings in the backyard of Albert Christensen's residence in Oakland, California in 1948, Christy's fundamental philosophy has been that customers are business **partners** rather than just people who buy our products. This philosophy, coupled with a reputation for reliability and integrity has been the cornerstone for continued growth in service to the memorial industry. Christy is now in its third generation of family ownership and management with manufacturing facilities in both Colma and Tulare, California.

Cremation facilitated our transition from a company primarily serving the

Northern and Central California areas to one that began providing Christy® Niches and Columbarium designs throughout the United States. We understand that any company built to last must be built to change. We work closely with our partners to design and develop products that will meet the needs of a very dynamic market.



PRODUCTS

Burial

Wilbert Burial Vaults	1-10
Outer Burial Containers	27-33
Marker Foundations	38-41
Prebury Project Information	34-36

Cremation

Wilbert Urn Vaults	13-24
Wilbert Granite Choices	45-46
DuraCast Pre-Cast Niches	47-48
Modular Cube System (MCS)	50-51
Diamond Archive Series	52-53
Urns	54-56

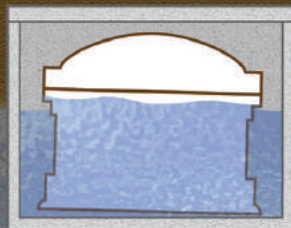
What is a burial vault?

A burial vault is a lined and sealed outer receptacle that houses the casket. It protects the casket from the weight of the earth and heavy maintenance equipment that will pass over the grave. It also helps resist water and preserves the beauty of the cemetery or memorial park by preventing the ground from settling.

Built Strong
Water Resistant



No Outer Burial Container



Unlined Outer Burial Container



Standard Lined Burial Vault

Wilbert

© Copyright 2004 by Wilbert Funeral Services, Inc. All rights reserved.

You want the best protection available for your loved ones. Years after you select a Wilbert® brand reinforced burial vault, you'll know that you made the right decision by choosing the highest level of protection.

PREMIUM

High-strength concrete, semi-precious corrosive-resistant metals and high-impact plastic combine for excellent durability.



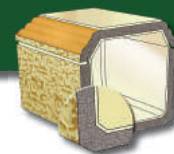
STANDARD

High-strength concrete, stainless steel and high-impact plastic combine for durable inner protection in a double-reinforced vault.



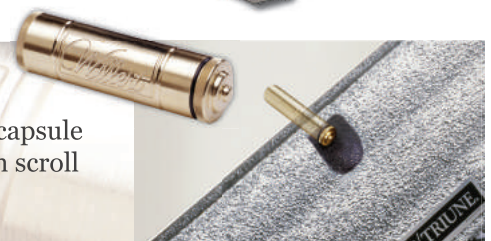
BASIC

Single-reinforced vaults feature concrete construction strengthened with plastic for extra support.



Memorialization Plus™

Available on Standard and Premium burial vaults is a Memorialization Plus™ capsule (brass) which stores a personal message to the loved one, and an identification scroll in the carapace.





The Wilbert Bronze[®]

Burial Vault

FEATURES:

- Precise engineering and more than 40 hours of hand-crafted detail produce Wilbert's supreme and only triple-reinforced burial vault
- Ultimate triple-reinforced protection
- Cover and base reinforced with durable bronze alloy
- Interior reinforced with high-impact plastic
- Exterior base completely encased in high-impact plastic
- 100 year warranty

SPECIFICATIONS:

Order #	Inner Dimensions			Outer Dimensions			Weights (LBS)		
	Width	Length	Height	Width	Length	Height	Base	Cover	Total
W3086-B	30"	86"	26 1/2"	35"	91 5/8"	34 1/2"	1950	1050	3000



Bronze Triune[®]

Burial Vault

FEATURES:

- High-strength concrete exterior
- Cover and base lined with bronze and high-impact plastic for excellent durability
- Bronze carapace
- Memorialization Plus[®] capsule (brass) and personalized nameplate
- 75 year warranty

SPECIFICATIONS:

Order #	Inner Dimensions			Outer Dimensions			Weights (LBS)		
	Width	Length	Height	Width	Length	Height	Base	Cover	Total
W3086-BT	30"	86"	26 1/2"	35"	90 1/2"	34 1/2"	1500	1190	2690



Copper Triune[®]

Burial Vault

FEATURES:

- High-strength concrete exterior
- Cover and base lined with copper and high-impact plastic for excellent durability
- Copper carapace
- Memorialization Plus[®] capsule (brass) and personalized nameplate
- 75-year warranty

SPECIFICATIONS:

Order #	Inner Dimensions			Outer Dimensions			Weights (LBS)		
	Width	Length	Height	Width	Length	Height	Base	Cover	Total
W3086-CT	30"	86"	26 1/2"	35"	90 1/2"	34 1/2"	1500	1190	2690



Stainless Steel Triune®

Burial Vault

FEATURES:

- High-strength concrete exterior
- Cover and base lined with stainless steel and high-imp sact plastic for excellent durability
- Stainless steel carapace
- Memorialization Plus® capsule (brass) and personalized nameplate
- 75-year warranty

SPECIFICATIONS:

Order #	Inner Dimensions			Outer Dimensions			Weights (LBS)		
	Width	Length	Height	Width	Length	Height	Base	Cover	Total
W3086-SST	30"	86"	26 1/2"	34 1/4"	90 1/2"	34 1/2"	1500	1190	2690



Cameo Rose[®]

Burial Vault

FEATURES:

- High-strength concrete exterior
- Cover and base lined with stainless steel and high-impact plastic for excellent durability
- Brushed stainless steel carapace
- Memorialization Plus[®] capsule (brass) and personalized nameplate
- 75-year warranty

SPECIFICATIONS:

Order #	Inner Dimensions			Outer Dimensions			Weights (LBS)		
	Width	Length	Height	Width	Length	Height	Base	Cover	Total
W3086-CAM	30"	86"	26 1/2"	34 1/4"	90 1/2"	34 1/2"	1500	1190	2690



Veteran Triune®

Burial Vault



U.S Army
P521G



U.S Air Force
P521H



U.S Coast Guard
P521L



U.S Marine Corps
P521J



U.S. Navy
P521K

FEATURES:

- High-strength concrete exterior
- Cover and base lined with stainless steel and high-impact plastic for excellent durability
- Brushed stainless steel carapace
- Memorialization Plus® capsule (brass)
- Includes branch-specific military emblems and customized U.S. flag nameplate
- 75-year warranty

SPECIFICATIONS:

Order #	Inner Dimensions			Outer Dimensions			Weights (LBS)		
	Width	Length	Height	Width	Length	Height	Base	Cover	Total
W3086-VT	30"	86"	26 1/2"	34 1/4"	90 1/2"	34 1/2"	1500	1190	2690



Venetian[®]

Burial Vault

FEATURES:

- High-strength concrete exterior
- Cover and base lined with high-impact plastic for excellent durability
- Rich look of polished marble
- 65-year warranty

SPECIFICATIONS:

Order #	Inner Dimensions			Outer Dimensions			Weights (LBS)		
	Width	Length	Height	Width	Length	Height	Base	Cover	Total
W3086-V (Standard)	30"	86"	26 1/2"	34 1/4"	90 1/2"	34 1/2"	1450	1050	2500
W3490-V (Oversize)	34"	90"	31"	38 3/4"	94 1/2"	38 3/4"	1730	1050	2780



Continental®

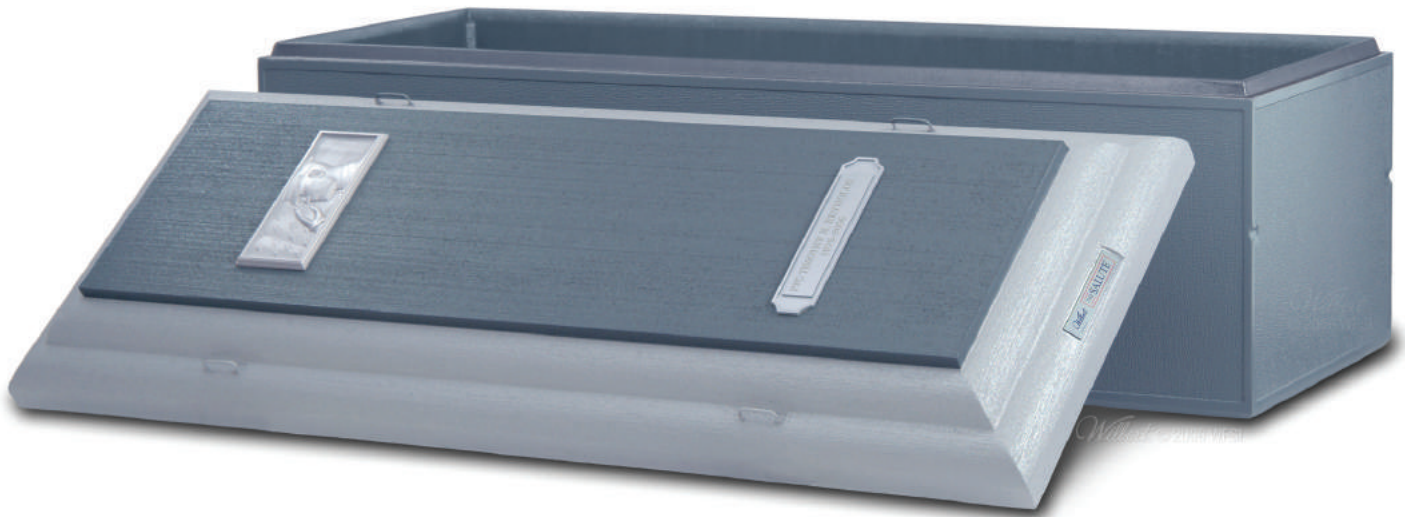
Burial Vault

FEATURES:

- Concrete exterior
- Cover and base lined with protective plastic
- 55-year warranty

SPECIFICATIONS:

Order #	Inner Dimensions			Outer Dimensions			Weights (LBS)		
	Width	Length	Height	Width	Length	Height	Base	Cover	Total
W3086-C	30"	86"	26 1/2"	34 1/4"	90 1/2"	34 1/2"	1450	1010	2460



Salute®
Burial Vault

FEATURES:

- Concrete exterior
- Cover and base lined with protective plastic
- Exclusive Salute™ emblem for veterans
- 50-year warranty

SPECIFICATIONS:

Order #	Inner Dimensions			Outer Dimensions			Weights (LBS)		
	Width	Length	Height	Width	Length	Height	Base	Cover	Total
W3086-S	30"	86"	26 1/2"	34 1/4"	90 1/2"	34 1/2"	1450	740	2190



Monticello[®]

Burial Vault

FEATURES:

- Concrete exterior
- Cover and base lined with protective plastic
- 50-year warranty

SPECIFICATIONS:

Order #	Inner Dimensions			Outer Dimensions			Weights (LBS)		
	Width	Length	Height	Width	Length	Height	Base	Cover	Total
W3086-M (Oversize)	34"	90"	31"	38 ³ / ₄ "	94 ¹ / ₂ "	38 ³ / ₄ "	1730	1050	2780
W3086-M (Standard)	30"	86"	26 ¹ / ₂ "	34 ¹ / ₄ "	90 ¹ / ₂ "	34 ¹ / ₂ "	1450	740	2190
W2056-M (Youth)	20"	56"	19"	24"	60 ¹ / ₂ "	26 ¹ / ₂ "	740	300	1040



Loved & Cherished®

Casket & Vault Combination

FEATURES:

- Available in 19", 24" or 31" sizes
- Preserve precious thoughts and memories with the same grace, protection, and tranquility as full-sized burial vaults
- The Loved and Cherished series of casket/vault combinations includes the 8" Loved and Cherished Bear

SPECIFICATIONS:

Order #	Inner Dimensions			Outer Dimensions			Weights(LBS) Total
	Width	Length	Height	Width	Length	Height	
P200 (Baby 31")	10 ⁵ / ₈ "	31 ¹ / ₈ "	12 ¹ / ₄ "	15 ³ / ₈ "	36 ¹ / ₄ "	14"	23 ¹ / ₂
P100 (Infant 24")	9 ¹ / ₈ "	23 ¹ / ₃ "	10 ¹ / ₈ "	11 ⁴ / ₅ "	26"	12 ¹ / ₄ "	24
P50 (Newborn 19")	8"	18 ³ / ₈ "	7"	9 ³ / ₄ "	20"	8 ³ / ₄ "	9

Why a Cremation Urn Vault?

Wilbert



Wilbert © 2003



If you plan on ground burial for the urn, most cemeteries require that it be placed into an urn vault. A cremation urn vault is a lined and sealed outer receptacle that houses the cremation urn, protecting it from the weight of the earth and cemetery maintenance equipment that will pass over it. Lined urn vaults provide protection from subsoil elements while preventing the ground from settling, thus maintaining the beauty of the grounds.

Wilbert lined urn vaults are made of high-strength concrete and reinforced with various lining materials including bronze, copper, stainless steel, and high-impact plastics. Your funeral professional can help you select a Wilbert urn vault that suits your style and budget. Wilbert offers three categories of cremation urn vaults, with differences in the level of protection, warranties, beauty, and personalization options.



Bronze Triune®

Urn Vault

FEATURES:

- High-strength concrete exterior
- Cover and base lined with bronze and high-impact plastic for excellent durability
- Bronze carapace
- 75-year warranty

SPECIFICATIONS:

Order #	Inner Dimensions			Outer Dimensions			Weights (LBS)		
	Width	Length	Height	Width	Length	Height	Base	Cover	Total
UV1212-CT	12 ¼"	12 ¼"	13 ¾"	14 ¼"	14 ¼"	17 ⅝"	70	34	104



Copper Triune[®]

Urn Vault

FEATURES:

- High-strength concrete exterior
- Cover and base lined with copper and high-impact plastic for excellent durability
- Copper carapace
- 75-year warranty

SPECIFICATIONS:

Order #	Inner Dimensions			Outer Dimensions			Weights (LBS)		
	Width	Length	Height	Width	Length	Height	Base	Cover	Total
UV1212-CT	12 ¼"	12 ¼"	13 ¾"	14 ¼"	14 ¼"	17 ⅝"	70	34	104



Stainless Steel Triune®

Urn Vault

FEATURES:

- High-strength concrete exterior
- Cover and base lined with bronze and high-impact plastic for excellent durability
- Stainless steel carapace
- 75-year warranty

SPECIFICATIONS:

Order #	Inner Dimensions			Outer Dimensions			Weights (LBS)		
	Width	Length	Height	Width	Length	Height	Base	Cover	Total
UV1212-SST	12 ¼"	12 ¼"	13 ¾"	14 ¼"	14 ¼"	17 ⅝"	70	34	104



Cameo Rose®

Urn Vault

FEATURES:

- High-strength concrete exterior
- Cover and base lined with stainless steel and high-impact plastic for excellent durability
- Brushed stainless steel carapace
- 75-year warranty

SPECIFICATIONS:

Order #	Inner Dimensions			Outer Dimensions			Weights (LBS)		
	Width	Length	Height	Width	Length	Height	Base	Cover	Total
UV1212-CAM	12 ¼"	12 ¼"	13 ¾"	14 ¼"	14 ¼"	17 ⅝"	70	34	104



Veteran Triune®

Urn Vault



U.S. Army
P521G



U.S. Air Force
P521H



U.S. Coast Guard
P521L



U.S. Marine Corps
P521J



U.S. Navy
P521K

FEATURES:

- High-strength concrete exterior
- Cover and base lined with bronze and high-impact plastic for excellent durability
- Brushed stainless steel carapace
- 75-year warranty

SPECIFICATIONS:

Order #	Inner Dimensions			Outer Dimensions			Weights (LBS)		
	Width	Length	Height	Width	Length	Height	Base	Cover	Total
UV1212-VT	12 ¼"	12 ¼"	13 ¾"	14 ¼"	14 ¼"	17 ⅝"	70	34	104



Venetian[®]

Urn Vault

FEATURES:

- High-strength concrete exterior
- Cover and base lined with copper and high-impact plastic for excellent durability
- Copper carapace
- 75-year warranty

SPECIFICATIONS:

Order #	Inner Dimensions			Outer Dimensions			Weights (LBS)		
	Width	Length	Height	Width	Length	Height	Base	Cover	Total
UV1212-V	12 1/4"	12 1/4"	13 3/4"	14 1/4"	14 1/4"	17 5/8"	70	34	104



White Venetian®

Urn Vault

FEATURES:

- High-strength concrete exterior
- Cover and base lined with bronze and high-impact plastic for excellent durability
- Stainless steel carapace
- 75-year warranty

SPECIFICATIONS:

Order #	Inner Dimensions			Outer Dimensions			Weights (LBS)		
	Width	Length	Height	Width	Length	Height	Base	Cover	Total
UV1212-VWS	12 1/4"	12 1/4"	13 3/4"	14 1/4"	14 1/4"	17 5/8"	70	34	104



Monticello®

Urn Vault

FEATURES:

- Available in standard & short sizes
- Concrete exterior
- Cover and base lined with protective plastic
- 50-year warranty

SPECIFICATIONS:

Order #	Inner Dimensions			Outer Dimensions			Weights (LBS)		
	Width	Length	Height	Width	Length	Height	Base	Cover	Total
UV1212-M	12 ¼"	12 ¼"	13 ¾"	14 ¼"	14 ¼"	17 ⅝"	62	25	87



Venetian[®]
Short Size Urn Vault

FEATURES:

- Short-size urn vault for interment above a burial vault (see illustration)
- High-strength concrete exterior
- Cover and base lined with high-impact plastic for excellent durability
- Rich look of polished marble
- 65-year warranty

SPECIFICATIONS:

Order #	Inner Dimensions			Outer Dimensions			Weights (LBS)		
	Width	Length	Height	Width	Length	Height	Base	Cover	Total
UV712-VS	12 1/4"	12 1/4"	7"	14 1/4"	14 1/4"	12 3/4"	42	34	76



White Venetian[®]

Short Size Urn Vault

FEATURES:

- Short-size urn vault for interment above a burial vault (see illustration)
- High-strength concrete exterior
- Cover and base lined with high-impact plastic for excellent durability
- Rich look of polished marble
- 65-year warranty

SPECIFICATIONS:

Order #	Inner Dimensions			Outer Dimensions			Weights (LBS)		
	Width	Length	Height	Width	Length	Height	Base	Cover	Total
UV712-VWS	12 1/4"	12 1/4"	7"	14 1/4"	14 1/4"	12 3/4"	42	34	76



Monticello[®]
Short Size Urn Vault

FEATURES:

- Available in standard & short sizes
- Concrete exterior
- Cover and base lined with protective plastic
- 50-year warranty

SPECIFICATIONS:

Order #	Inner Dimensions			Outer Dimensions			Weights (LBS)		
	Width	Length	Height	Width	Length	Height	Base	Cover	Total
UV712-MS	12 1/4"	12 1/4"	7"	14 1/4"	14 1/4"	12 3/4"	42	34	76





ClearVault™

Acrylic Urn Vault - Horizontal

FEATURES:

- Acrylic urn vault providing complete protection of the urn
- Built to withstand a minimum 5,000 pounds center-load
- Designed for use during visitation, memorial services, graveside committal services or home display

SPECIFICATIONS:

Order #	Inner Dimensions			Outer Dimensions			Weights (LBS)		
	Width	Length	Height	Width	Length	Height	Base	Cover	Total
p455	12"	12"	9"	15"	15"	11"	*	34	19.1



ClearVault™

Acrylic Urn Vault - Vertical

FEATURES:

- Acrylic urn vault providing complete protection of the urn
- Built to withstand a minimum 5,000 pounds center-load
- Designed for use during visitation, memorial services, graveside committal services or home display

SPECIFICATIONS:

Order #	Inner Dimensions			Outer Dimensions			Weights (LBS)		
	Width	Length	Height	Width	Length	Height	Base	Cover	Total
P455	12"	12"	9"	15"	15"	11"	*	34	19.1



CHRISTY VAULT COMPANY PRODUCT IDENTIFICATION

PRODUCT NUMBER GUIDE

An understanding of our Product Numbering System will improve the accuracy of your orders. Product numbers include the product type, internal dimensions* and Christy Identification Code.

*All dimensions listed under specifications for non-Wilbert products have a tolerance of +/- 1/4"

Example: G3086-6

G	Product Type: Garden Crypt
3086	Internal Dimensions: 30" X 86" (Standard)
-6	Christy Identification

Product Types

W	Wilbert Burial Vault
V	Christy Vault
G	Garden Crypt
L	Liner
U or UV	Urn Vault

PRODUCT DESCRIPTIONS

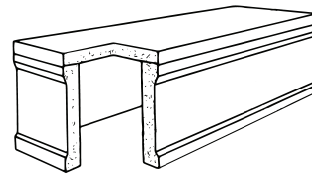
Wilbert Burial Vault - Base and cover lined with a Seamless Protective Inner Liner. Designed and warranted to protect against the entrance of outside elements.

Christy Vault - Black base with bottom, gray domed cover.

Companion Garden Crypt - Concrete base with bottom and 2 weep holes for drainage. Concrete top ring, flat cover, concrete inner shutter, 2 rod shutter supports.

Single Garden Crypt - Concrete base with bottom and 2 weep holes for drainage, flat cover.

Ring Liner - Bottomless concrete ring, flat cover, 4 bricks for casket risers.



Cover (2-3086G5)

Ring (3-3086L4)

Ring Liners

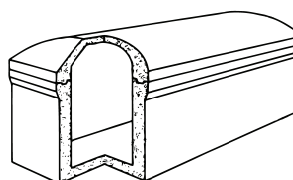
- Bottomless concrete ring
- Flat cover
- 4 bricks for casket risers

SPECIFICATIONS:

Order #	Inner Dimensions			Outer Dimensions			Weights (LBS)		
	Width	Length	Height	Width	Length	Height	Ring	Cover	Total
L3086-4 (Standard)	30"	86"	26"	34"	90"	29"	600	575	1175
L2472-4	24"	72"	20"	28"	75"	22"	358	155	513
L2456-4	24"	56"	20"	28"	59"	22"	275	121	396
L1849-4	18"	49"	17"	22"	53"	19"	236	82	318
L1637-4	16"	37"	14"	19"	40"	16"	158	92	250
L1431-4	14"	31"	13"	18"	35"	16"	121	100	221
L1226-4	12"	26"	11"	16"	30"	13"	80	54	134



Christy Vaults



Cover (2-3086V1)

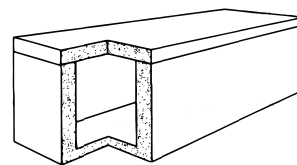
Base (1-3086V1)

FEATURES:

- Black base with bottom
- Gray domed cover

SPECIFICATIONS:

Order #	Inner Dimensions			Outer Dimensions			Weights (LBS)		
	Width	Length	Height	Width	Length	Height	Base	Cover	Total
V3290-1 (Oversize)	32"	90"	24"	36"	94"	31"	1063	581	1644
V3086-1 (Standard)	30"	86"	23"	34"	90"	29"	875	413	1288
V2464-1	24"	64"	18"	28"	68"	25 1/2"	489	247	736
V1848-1	18"	48"	16"	22"	52"	22 1/2"	300	200	500
V1637-1	16"	37"	14"	20"	41"	19"	200	100	300



Cover (2-3086G5)

Base (1-3086G6)

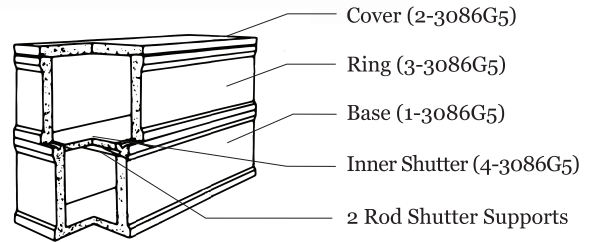
Single Garden Crypts

FEATURES:

- Concrete base with bottom
- 2 weep holes for drainage
- Flat cover

SPECIFICATIONS:

Order #	Inner Dimensions			Outer Dimensions			Weights (LBS)		
	Width	Length	Height	Width	Length	Height	Base	Cover	Total
G4490-6 (Grande)	44"	90"	32"	48"	94"	38"	2680	1200	3880
G3690-6 (Oversize)	36"	90"	27 1/4"	40 1/2"	94 1/2"	35 3/4"	1085	680	2240
G3086-6 (Standard)	30"	86"	25"	33 1/2"	89 1/2"	30"	1175	575	1750
G2884-6	28"	84"	23"	30 1/2"	86 1/2"	28"	960	455	1415



Companion Garden Crypt

Standard

FEATURES:

- Double-Depth Outer Burial Receptacle with a Rod Inner-Shutter Support System

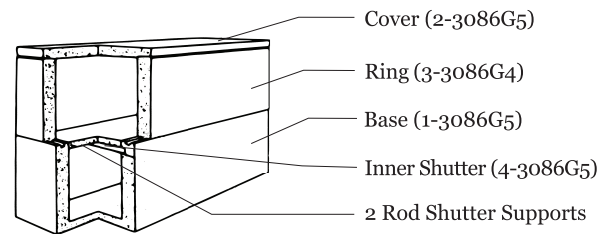
SPECIFICATIONS:

Order #	Inner Dimensions			Outer Dimensions			Weights (LBS)				
	Width	Length	Height	Width	Length	Height	Base	Ring	Cover	Inner Shutter	Total
G3086-5 (Standard)	30"	86"	23 ^{3/4} "	34"	90"	55"	1000	640	575	305	2520



Companion Garden Crypt

Straight Wall



FEATURES:

- Double-Depth Outer Burial Receptacle with a Rod Inner-Shutter Support System
- 2" thick walls from top to bottom

SPECIFICATIONS:

Order #	Inner Dimensions			Outer Dimensions			Weights (LBS)				
	Width	Length	Height	Width	Length	Height	Base	Ring	Cover	Inner Shutter	Total
G3086-4 (Straight Wall)	30"	86"	23 ^{3/4} "	34"	90"	55"	1535	1040	575	305	3455



INTRODUCTION

This **Prebury Planning Guide** has been designed to help you understand the Prebury concept, familiarize you with the design and construction of Christy Garden Crypts, assist you in the planning process of your Prebury project and to describe the entire installation process.

By presenting this information to you, we hope to answer many commonly asked questions and to eliminate any surprises. With over 50 years of experience preburying Christy Garden Crypts, our goal is to help make your Prebury projects run smoothly from the planning stages to the final interment and beyond.

THE PREBURY CONCEPT

Reasons for Preburying Christy Companion Garden Crypts is to maximize the number of interments that can be placed in a given area, to minimize the amount of labor necessary at the time of interment and to take advantage of purchasing Christy Garden Crypts at today's prices.

A large area will be excavated, have Christy Garden Crypts placed in rows very close to each other, and be covered with a beautiful lawn before any interment has taken place.

At the time of the first interment, your field crew will remove the sod, dig only 18 to 24 inches down to the cover of the unit and remove the cover and inner shutter (the shelf that will separate the two caskets). The first casket is lowered into the bottom portion of the Garden Crypt. The inner shutter is placed on supports over the first casket to act as the floor for the second casket when it is interred at a later date. The cover is placed on the unit. The same soil is backfilled over the Garden Crypt and the sod is put back in place.

At the time of the second interment the sod and soil are removed, the Garden Crypt is opened and the second casket is placed onto the inner shutter. The cover, soil and sod are replaced.

Some of the advantages of Preburying Christy Garden Crypts are that your field crew no longer has to dispose of the excess soil at each interment. No handling of the complete unit or shoring of the grave is necessary. Minimizing the amount of labor also means minimizing the potential for injury and worker's compensation claims.

THE PLANNING PROCESS

With many years of experience Preburying Christy Garden Crypts, Christy Vault Company has gained invaluable knowledge and expertise to assist you in planning your Prebury project.

The enclosed *Example Prebury Project* shares with you our recommendations for the project layout, grave size (3' x 8' to maximize your space), placement and spacing of the garden crypts, the use of drain rock and pea gravel, the depth of the excavation, and the depth of the earth covering over the units. California State Law requires a minimum earth covering of 18 inches over single depth graves and 12 inches over double depth graves. We recommend anywhere from 18 to 24 inches for both single and double depth graves.

Other things to consider during the planning process are the placement of sprinkler systems, designing around existing trees, and buffer zones between the units and existing graves, roads, buildings or cemetery features. Be aware of any local easement laws that may affect your project.

Within this Planning Guide is a Prebury Project Site Survey. It has been designed to assist us in our ability to provide you with optimal service and an accurate quote for your project. With your assistance it provides us with information regarding the terrain, soil composition, what we might encounter while excavating the area, truck access, and what you would like us to do with the large amount of excess soil that will be generated.

Please provide us with a completed Site Survey and a drawing of the project showing the proposed orientation of the garden crypts. A Christy Representative can visit your cemetery to assist you with your product planning and with completion of your Site Survey.

Remember, the earlier we are involved with your Prebury project, the fewer bumps there'll be in the road to completion.



THE OUTER BURIAL RECEPTACLES

Christy Companion Garden Crypts have been constructed to provide you with the finest long lasting quality available and designed to avoid any surprises at that critical time of interment.

Our G3086-4 (Straight Wall Companion Garden Crypt) perimeter unit is constructed with thick quality concrete and 2" thick walls from top to bottom to withstand the external pressures on the outside edges of the project. This eliminates the concern for any bowing or breakage that might have occurred when the crypt is opened for interment. These units are the best for sustaining long term extra pressure exerted on the crypt wall from heavy wet soil long after the final interment.

With our Straight Wall Companion Garden Crypts withstanding the perimeter pressures, our Standard Companion Garden Crypts (G3086-5) can be installed in the interior of the project for additional savings.

Christy's proven Garden Crypt design incorporates the consistent 30" x 86" internal dimensions (with +/- 1/4" tolerances) from top to bottom to ensure the lowering of slightly larger caskets and convenient removal of the inner shutter and casket lowering straps. Our **Rod Shutter Support System** eliminates any concern for the lowered casket hanging up on any shelf designs and any difficulty with removal of the inner shutter. We want your gravesite services to run as smoothly as possible.

INSTALLATION

The installation process involves a series of steps that are designed to minimize the amount of disruption to your cemetery:

1. Christy Garden Crypts will be delivered to your cemetery and stored in a staging area close to the Prebury site.
2. After, or during the delivery of the Garden Crypts, we will excavate the entire area to the appropriate depth.
3. A temporary perimeter fence will be placed around the entire excavated area for safety purposes.
4. The large amount of excess soil that will be excavated can be transported to or spread over to a different location on the cemetery grounds or completely removed. Each of these options would require additional charges based on your requirements.
5. A temporary stockpile of excess soil will be placed adjacent to the Prebury site for the final backfill of soil.
6. A 5 to 6 inch base of drain rock will be installed to provide appropriate drainage. Depending on your groundwater conditions, **additional sumps or pipe drainage systems can be installed at a nominal charge.**
7. Christy Companion Garden Crypts will be placed in a configuration that maximizes your space (Each grave being not more than 3' x 8').
8. Identification numbers can be marked on the covers of each Garden Crypt for grave space verification.
9. Pea gravel will be placed between the units for more efficient drainage and to relieve any hydrostatic pressure between units.
10. The temporary stockpile of excess soil will be backfilled over the Garden Crypts to attain 18 to 24 inches of coverage with wheel roll compaction.

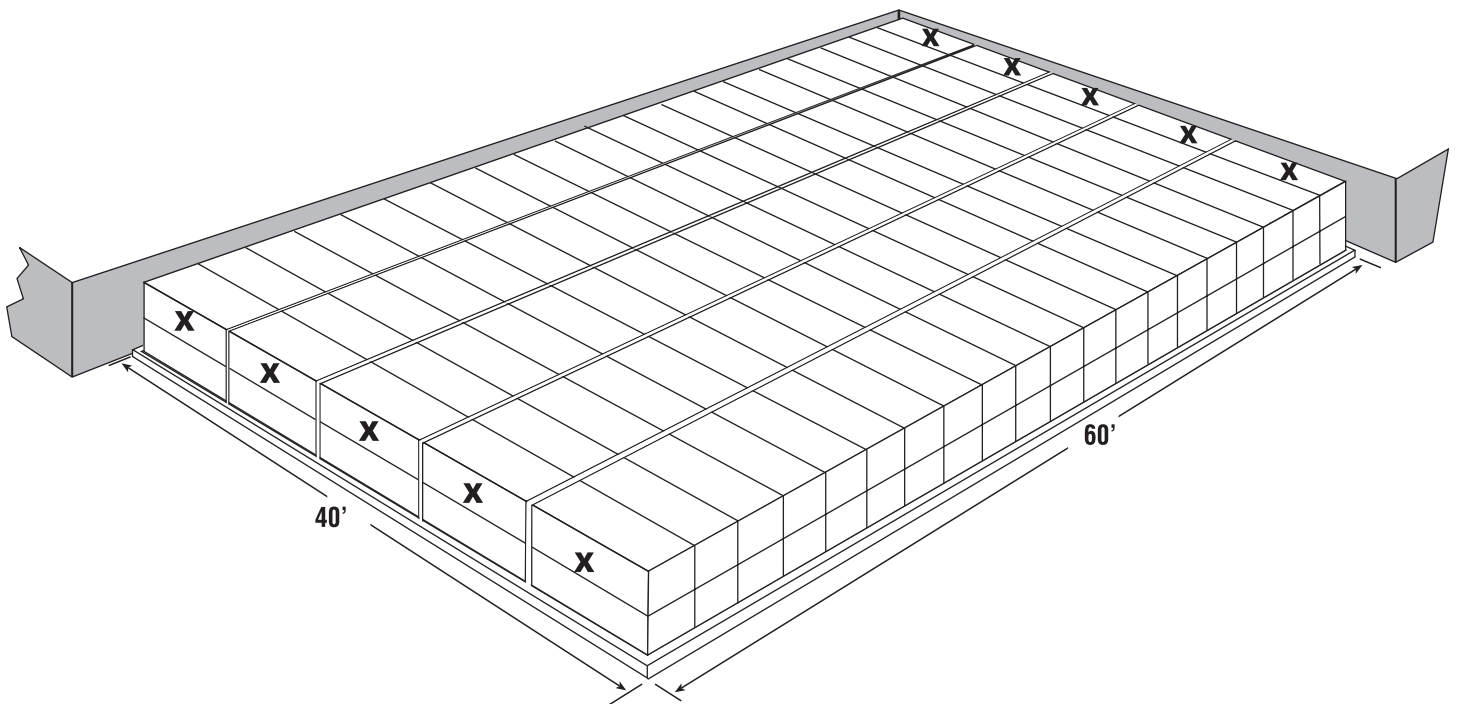
An important benefit of our installation crew is that they shut down operations for any funeral procession that could be disturbed by the noise of their construction equipment.

*Our guidelines represent the correct and proper procedures for a successful project. If a contractor other than a Christy Vault installer does not follow our recommended guidelines, Christy Vault Company, Inc., claims no responsibility for the result(s) of the prebury project.

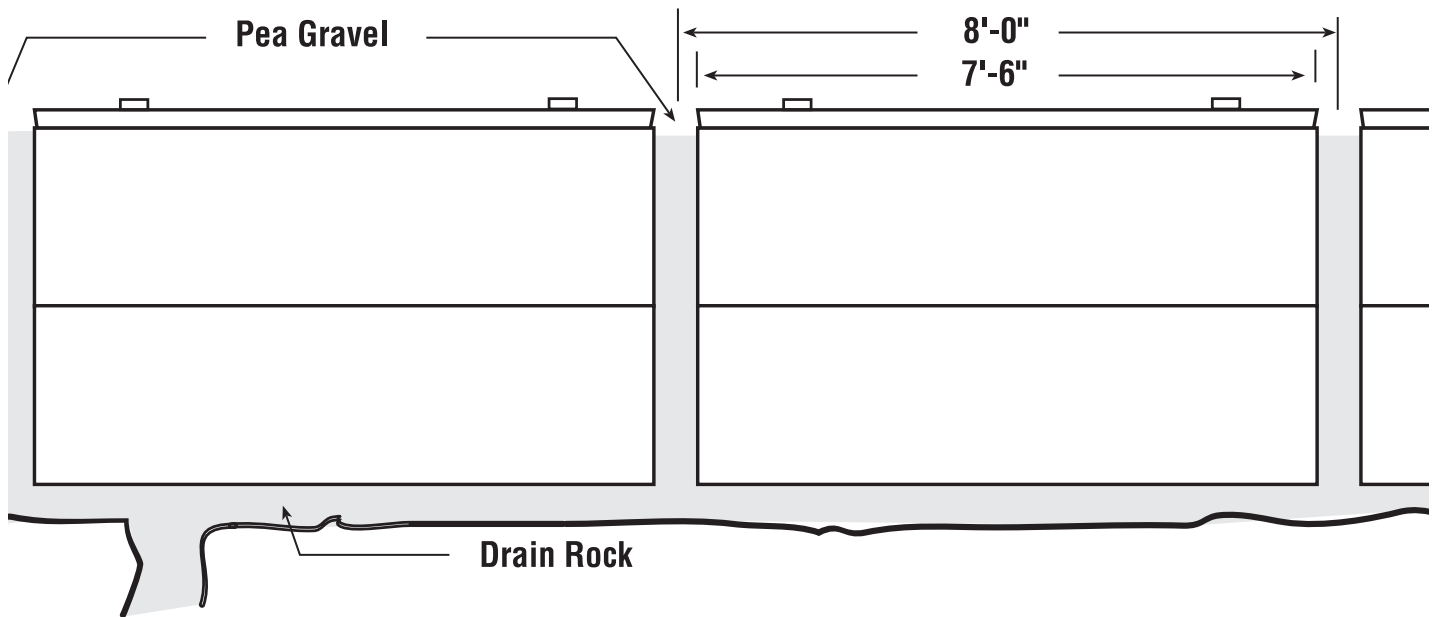
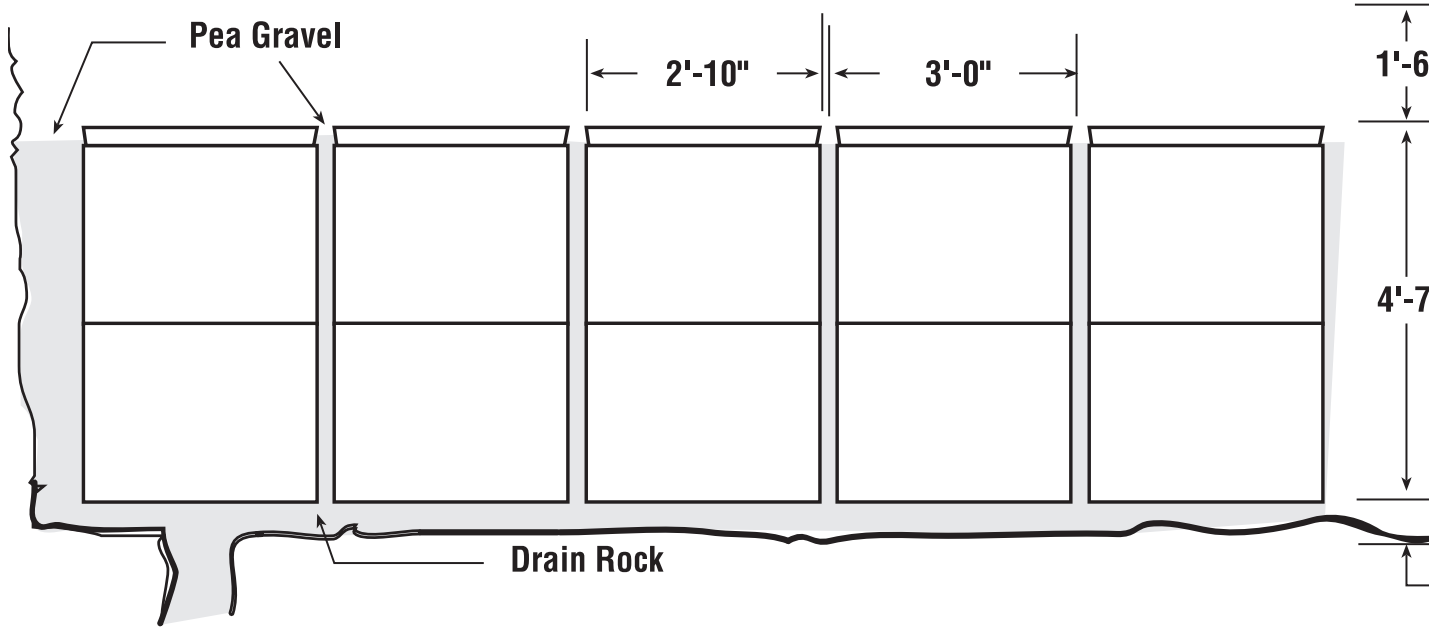
Example Companion Garden Crypt Preburial Arrangement (100 Companion Units, 200 Spaces)

- 3'x8' Grave Spaces
- 6" Layer of 3/4" to 1" Drain Rock
- (90) Standard Companion Crypts (G3086-5)
- (10) Straight Wall Companion Crypts (G3086-4)
- 1/4" Pea Gravel Backfill Between Units
- Total excavation 40' x 60' x 6' - 7" deep.
- 5 rows of 20 units each
- Units are 2" apart side-to-side, 6" apart end-to-end
- 18" of top soil recommended, 30" maximum

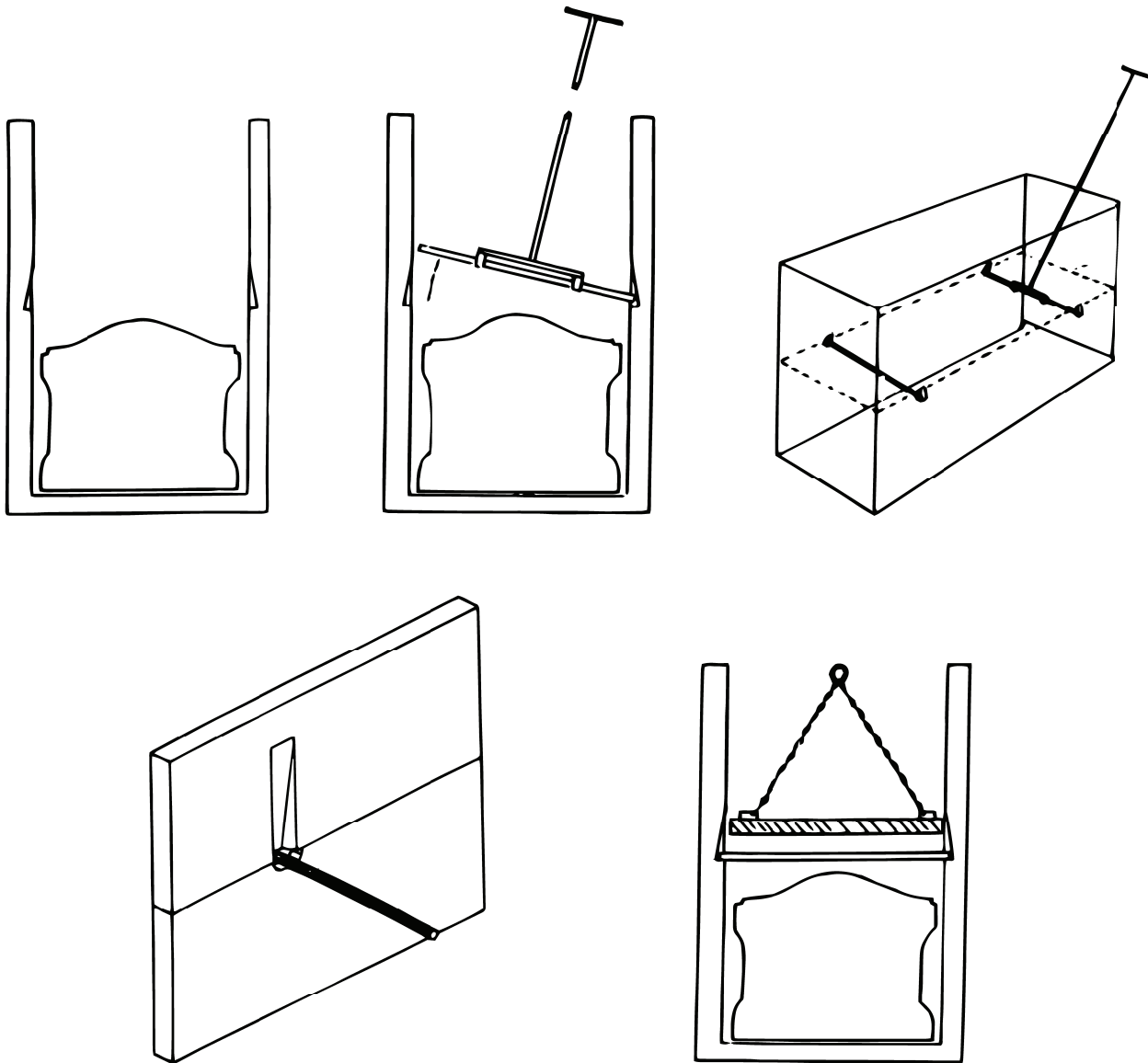
“X” marked units represent five straight-walled companion units at each end of excavation to eliminate need for retaining walls against backfill side pressures.



COMPANION GARDEN CRYPT PREBURIAL DETAIL



ROD SHUTTER SUPPORT SYSTEM



- Rods made of a strong pultruded composite
- Rod insert tool provided
- Design maintains the consistent 30" x 86" internal dimensions from top to bottom for convenient casket lowering and easy inner shutter handling

**+/- 1/4" tolerances*



PREBURY PROJECT SITE SURVEY

This form is an aid for cemetery personnel planning for a Prebury project.

Christy Vault Company has prepared a full set of Prebury specifications to assist you in your planning process.

Name of Cemetery: _____

Location: _____ Phone: _____

Contact Person: _____ Title: _____

Number of Units Proposed: - Single Depth: _____ Double Depth: _____

Area Specification - Length (feet): _____ Width (feet): _____

(Please prepare a sketch on a separate sheet showing the proposed orientation of the vaults)

Proposed Grave Size: _____ Is a Blueprint Drawing Available? _____
(3' x 8' is recommended)

Type of Terrain: Flat _____ Sloping _____ Hills _____ Other _____
(Please Explain)

Type of Soil: Sand _____ Clay _____ Loam _____ Other _____
(Please Explain)

Will Excess Dirt Need to be Removed from the Premises? _____
(If Yes, how far will the dirt have to be moved?) Yards _____ Miles _____

What Might We Encounter During Excavation? Large Rocks _____ High Water Table _____

Depth of Soil Required Over Garden Crypts? _____
(CA Law States: 18" Single/ 12" Double, Minimum)

Large Truck Access: Low Entry Ways _____ Narrow Streets _____
Low-Hanging Trees _____ Short Turning Radius _____

Is Staging Space Available for Preliminary Delivery of Garden Crypts? _____

Are There Any Occupied Graves on Any or All Sides of the Excavation Site? _____
If **Yes**, Please Explain: _____

Has This Cemetery Previously Completed a Prebury Project? _____

Any Local Laws That Need to Be Taken Into Account or That Might Affect This Estimate? _____
If **Yes**, Please Explain: _____

Submit your survey via fax or email and a Christy representative will contact you within 1-3 business days.

Fax: 650.756.4132 Info@christyvault.com



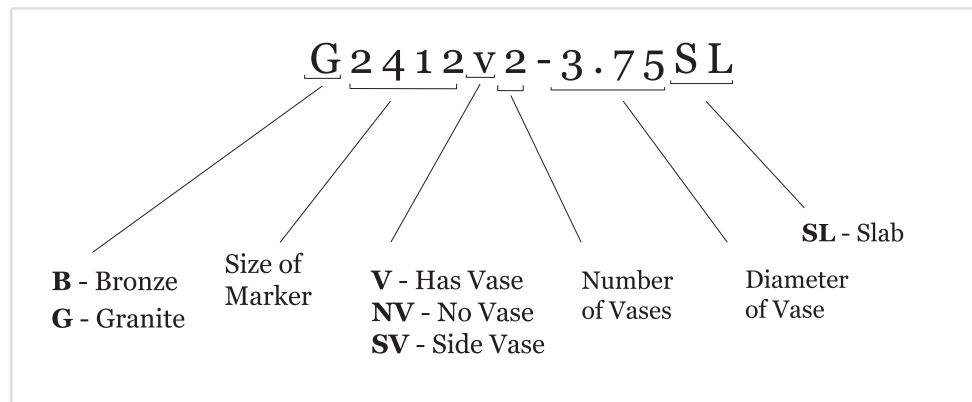
MARKER FOUNDATION INFORMATION

Product Number Guide

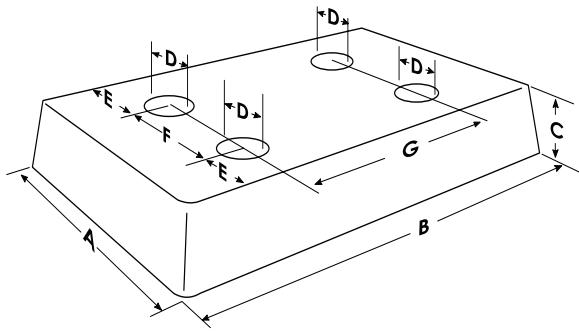
An understanding of our Marker Foundation Numbering System will improve the accuracy of your orders. Product Numbers include the Marker Type, Marker Dimensions, Number of Vases and the Size of the Vase Hole.

Example: B2412V1-4

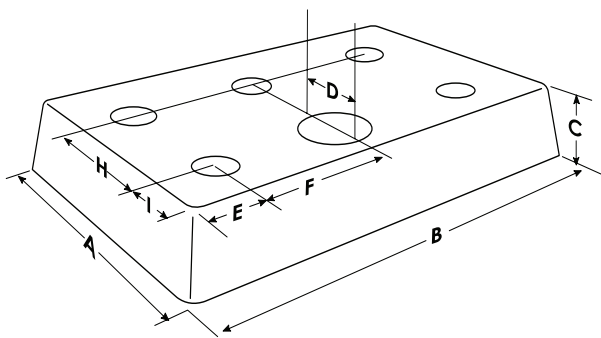
- B** Marker Type:
 - B** - Bronze
 - G** - Granite
- 2412** Marker Dimensions 24" x 12" (*Not Foundation Dimensions*)
- V1** Number of Vase Holes
- 4** Size of Vase Holes: (**NV** = No Vase / **SV** = Side Vase)



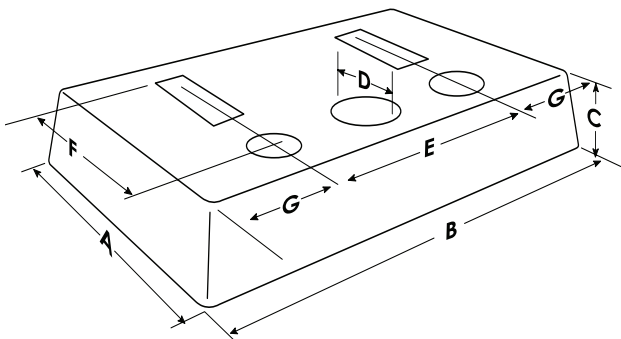
BRONZE MARKERS



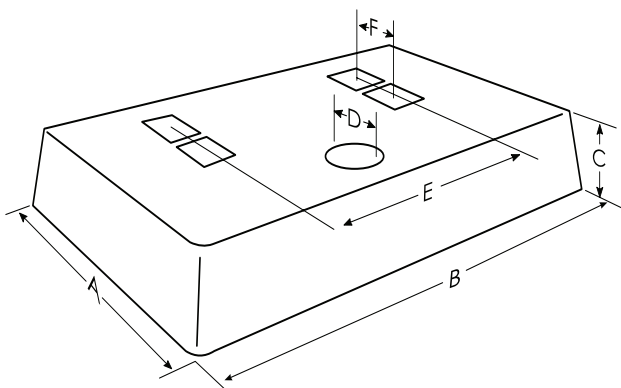
ORDER #	A	B	C	D	E	F	G
B2211NV	12 1/2"	24 1/2"	2 1/2"	3"	3"	6 1/2"	18"
B2413NV	16 1/2"	28 1/2"	2 1/2"	3"	1 1/4"	8"	17 1/2"
B2414NV	20"	31 1/2"	3"	2"	6"	7"	17 1/2"



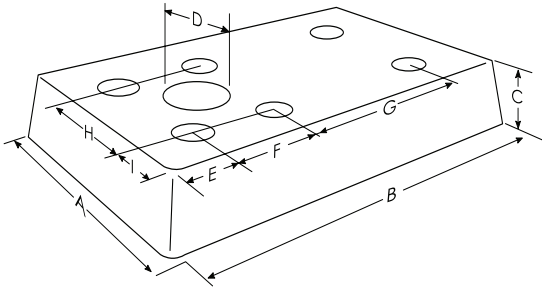
ORDER #	A	B	C	D	E	F	G	H	I
B3613V1-6	18"	41"	3"	6"	7 1/2"	13"	5"	5"	



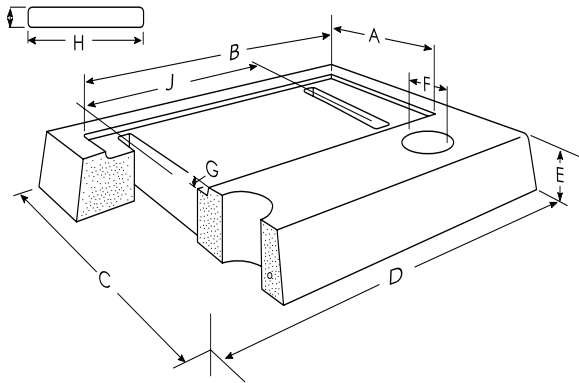
ORDER #	A	B	C	D	E	F	G
B2211NV	12 1/2"	24 1/2"	2 1/2"	3"	3"	6 1/2"	18"
B2413NV	16 1/2"	28 1/2"	2 1/2"	3"	1 1/4"	8"	17 1/2"
B2414NV	20"	31 1/2"	3"	2"	6"	7"	17 1/2"



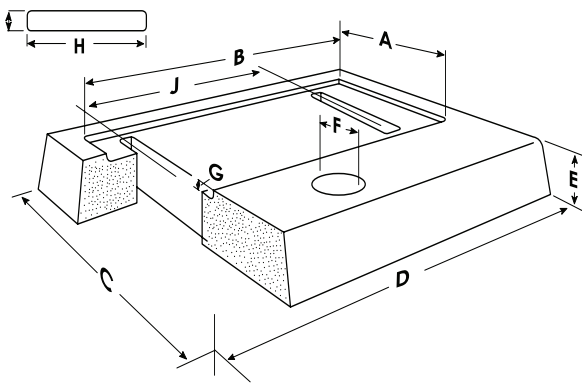
ORDER #	A	B	C	D	E	F
B2412V1-5SL	26"	32"	3"	5"	17 1/2"	7"



ORDER #	A	B	C	D	E	F	G	H	I
B2416V1-6	21"	29"	3"	6"	5 1/2"	6"	12"	7"	3 1/2"

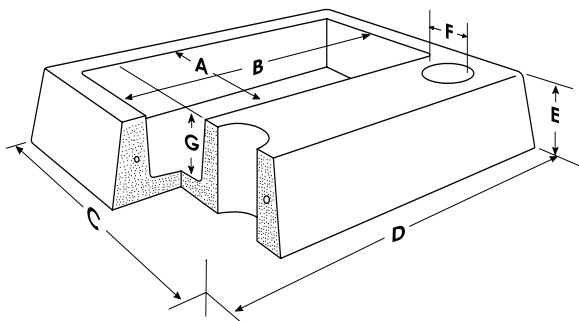


ORDER #	A	B	C	D	E	F	G	H	I	J
B2412V2-3.75	13 1/2"	25 1/2"	26"	31"	3"	3 3/4"	3/4"	10"	2"	17 1/2"
B2412V2-4	13 1/2"	25 1/2"	24"	31"	3"	4"	3/4"	10"	2"	17 1/2"
B2816V2-4	17"	29"	28 1/2"	36"	3"	4"	3/4"	11 3/4"	2"	17 1/2"

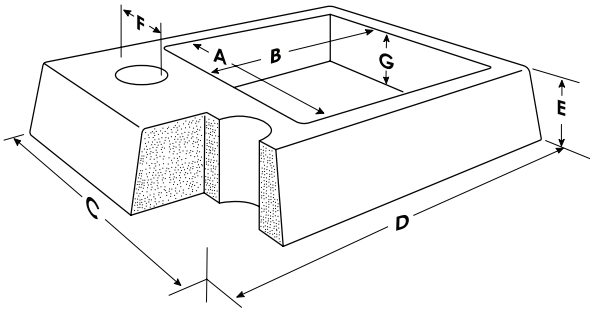


ORDER #	A	B	C	D	E	F	G	H	I	J
B2412V1-4	13 1/2"	25 1/2"	24"	31"	3"	3 3/4"	3/4"	10"	2"	17 1/2"
B2412V1-5	13 1/2"	25 1/2"	24"	31"	3"	5"	3/4"	10"	2"	17 1/2"
B2816V1-4	17"	29"	28 1/2"	36"	3"	4"	3/4"	10"	2"	18 1/2"

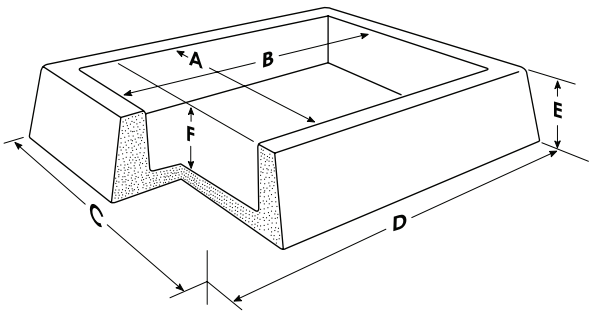
GRANITE MARKERS



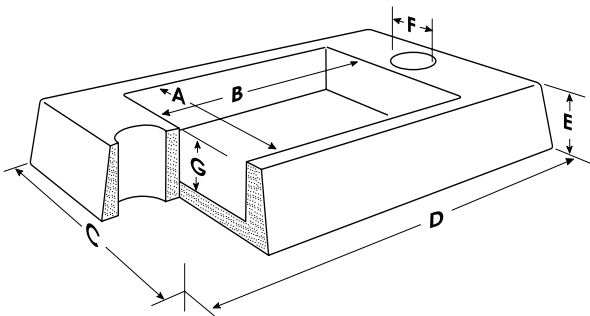
ORDER #	A	B	C	D	E	F	G
G1814V2-3.75	15"	19"	28"	28"	4"	3 3/4"	3"
G2412V2-4	13 3/4"	26"	24 1/4"	31 1/2"	5"	4"	3 3/4"
G2412V2-3.75	13 3/4"	26"	24 1/4"	31 1/2"	5"	3 3/4"	3 3/4"
G2412V2-3.75 (Deep)	14 1/4"	26 3/8"	24 3/8"	31 1/2"	5 3/4"	3 3/4"	4 3/4"



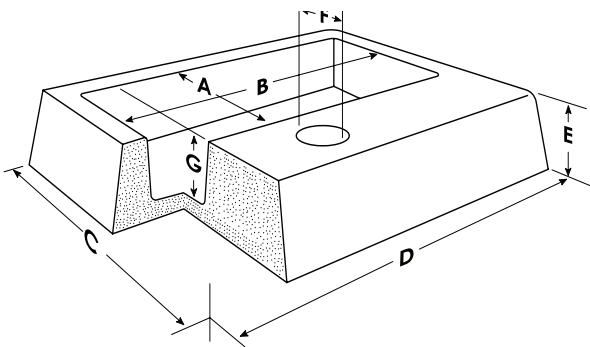
ORDER #	A	B	C	D	E	F	G
G1814SV2-3.75	15"	19"	24"	28"	5"	3 ^{3/4} "	3"



ORDER #	A	B	C	D	E	F
G2412NV	14"	26 ^{7/8} "	19 ^{1/2} "	32 ^{1/2} "	5 ^{1/2} "	4 ^{1/2} "
G2816NV	18"	30"	22"	33 ^{1/2} "	6"	4 ^{3/4} "



ORDER #	A	B	C	D	E	F
G2412SV-4	13"	25"	18"	36"	5"	4"



ORDER #	A	B	C	D	E	F	G
G1810V1-4	10 ^{1/8} "	18 ^{1/8} "	19 ^{1/2} "	23 ^{1/2} "	5"	4"	4"
G2412V1-5	13"	25"	24 ^{3/4} "	32"	5"	5"	3 ^{3/4} "
G2412V1-4	13"	25"	24 ^{3/4} "	32"	5"	4"	3 ^{3/4} "

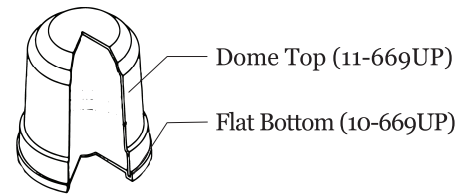
FIBRELYTE™ is an attractive, strong and durable material made from polyester resins and fiberglass along with ultra violet inhibitors. It is non-combustible and provides a clean marbled appearance that also helps protect the interior from invasive dust, insects and the elements.



ORDER #: U669PF

Includes:

- 3/16" Sealer (6 Urns/Roll)



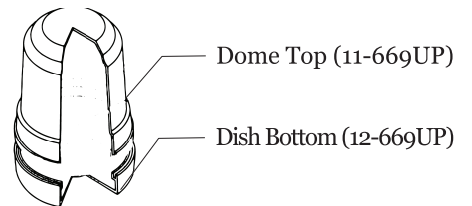
Inner Dimensions			Outer Dimensions			Weights (LBS)		
Width	Length	Height	Width	Length	Height	Base	Cover	Total
8"	*	9"	10"	*	10 1/2"	2	1	3



ORDER #: U669PD

Includes:

- 3/16" Sealer (6 Urns/Roll)



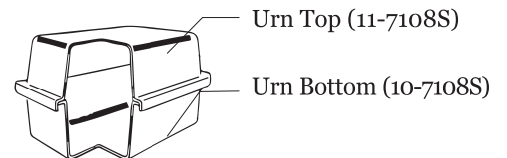
Inner Dimensions			Outer Dimensions			Weights (LBS)		
Width	Length	Height	Width	Length	Height	Base	Cover	Total
8"	*	9"	10"	*	10 1/2"	2	1	3



ORDER #: U7108S

Includes:

- 3/16" Sealer (5 Urns/Roll)



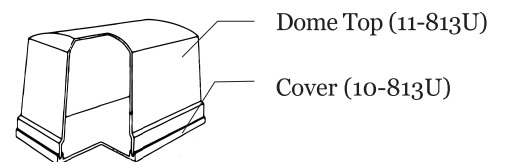
Inner Dimensions			Outer Dimensions			Weights (LBS)		
Width	Length	Height	Width	Length	Height	Base	Cover	Total
7 3/4"	10 1/8"	7 3/4"	9 3/4"	13 1/8"	17 5/8"	2	2	4



ORDER #: U813

Includes:

- 3/16" Sealer (5 Urns/Roll)
- 2" height extension available upon request



Inner Dimensions			Outer Dimensions			Weights (LBS)		
Width	Length	Height	Width	Length	Height	Base	Cover	Total
8"	13"	11"	10"	15"	11"	6	2	8



Inner Dimensions			Outer Dimensions			Weights (LBS)		
Width	Length	Height	Width	Length	Height	Base	Cover	Total
7"	7"	8 3/8"	9 1/2"	9 1/2"	10 1/2"	27	4	31

ORDER #: U77



Inner Dimensions			Outer Dimensions			Weights (LBS)		
Width	Length	Height	Width	Length	Height	Base	Cover	Total
7 5/8"	11 1/4"	7 1/2"	9 1/2"	13 1/2"	10 1/2"	34	7	41

ORDER #U7711



Inner Dimensions			Outer Dimensions			Weights (LBS)		
Width	Length	Height	Width	Length	Height	Base	Cover	Total
9 3/4"	22 1/2"	10 3/8"	13 3/4"	25 3/8"	13 1/4"	100	46	146

ORDER #U7711



Inner Dimensions			Outer Dimensions			Weights (LBS)		
Width	Length	Height	Width	Length	Height	Base	Cover	Total
(2 Areas)	8 3/4" X 9 3/8"	9 3/8"	11 1/2"	21 1/2"	11 1/4"	68	20	88

ORDER #U1020C

(COMPANION URN VAULT)



- Square Flower Vase
- Vase hole 3 3/4"

Top Dimensions			Weight(LBS)
Width	Length	Height	Total
6 1/4"	6 7/8"	7 3/4"X	20

ORDER #M1A



- Square Flower Vase
- Vase hole 3 3/4"

Top Dimensions			Weight(LBS)
Width	Length	Height	Total
6 1/4"	6 7/8"	7 3/4"X	20

ORDER #M1B

Granite Choices



Wilbert Memorials is a division of Wilbert Funeral Services, a leading supplier to the funeral industry for over 80 years. It is our mission to provide unparalleled value to you and the families you serve by offering the highest quality products and superior local service.

Wilbert Memorials, in conjunction with Christy Vault Company, offers a range of memorialization and cemetery enrichment products. These products are manufactured by skilled craftsmen using the highest quality granite.

This catalog highlights a group of pre-selected, ready-to-install products in various granite color combinations as well as the option to develop custom products, cemetery gardens, and other features. You



can order any of the traditional products by simply selecting the model and granite color combination or you can work with our experienced design staff to complete a customized order.



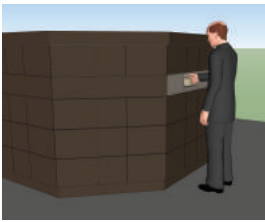
Estate Benches, Urn Pedestals, Statuary, Private Mausoleums

Personal memorialization choices can be integrated into a cremation garden, positioned throughout the grounds, or installed in a family plot.



Personal, Community & Combination Columbariums

Various colors, interior or exterior, mounted against an existing wall or freestanding, single or double-sided, straight or curved, personal or community columbarium.



Ossuaries

A permanent, dignified memorial for families seeking a more economical disposition. Cremated remains are co-mingled yet a nearby tablet or other form records the deceased's name for memorialization.



Customized Products, Garden & Property Development

Our design team can assist you with creating a cost effective solution for undeveloped property. Given a general list of specifications and goals, we can recommend a design complete with the right products and features to yield the targeted results.

Granite Selection:



Maple



Gray



Absolute Black



Mahogany

*Please Note: All granite is natural stone - coloring and distribution of grain may vary from piece to piece.



Contact your trusted Wilbert licensee today for a complete Granite Choices catalog and to find out how our turnkey approach can provide you unique products and services that allow you to create heritage in your property and reach out to serve cremation families in your community.

Dura-Cast Niches



Santa Cruz Memorial Park



Christy Dura-Cast concrete niches and Fibrelyte™ niche liners have been the preferred choice for columbarium projects throughout the United States since 1983.

Christy's advanced concrete manufacturing process produces niches with the strength and durability that will last through the ages with style and beauty.

The interior of each niche is lined with Christy's Fibrelyte™ liner and covered with a Fiberlyte™ Protective Security Shutter. Fibrelyte™ is an attractive, strong and durable material made from polyester resins and fiberglass along with ultra violet inhibitors. It is



non-combustible and provides a clean marbled appearance that also helps protect the niche interior from invasive dust, insects and the elements.

The niches can be manufactured in many different configurations making them suitable for a wide variety of designs and locations. Because of their high structural strength, they can be used to support overhead structures for added aesthetics, shade, and weather protection.



Saint Gall

Hendricks Hexagon

The Hendricks Hexagon is an excellent option to provide families interested in cremation. The benefits of our Hendricks Hexagon allows you to create places for inurnment from beautiful cemetery features to sites previously thought unusable.

FEATURES:

- It's design and solid construction automatically attracts those seeking a special place for inurnment
- Most efficient use of cemetery land
- No costly on-site construction or maintenance
- Unique pre-assembled design
- Available in four box styles and many popular configurations
- Customized stone options



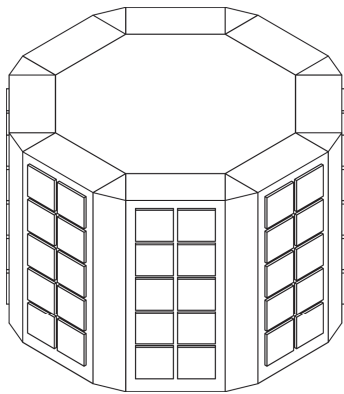
Fibrelyte™ Niche Open/Closed



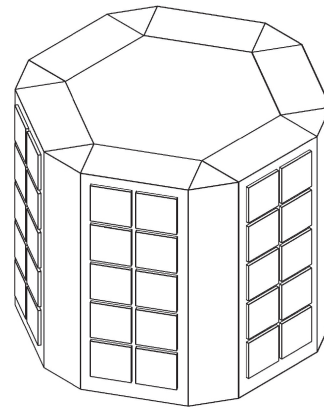
For more information about Christy Dura-Cast Niches please give us a call at 1-800-229-8285 to speak to a Christy representative, or visit us online at www.christyvault.com.



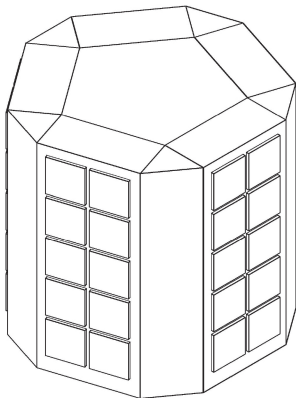
PREFABRICATED NICHE FEATURES



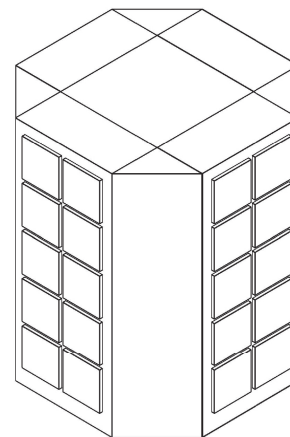
80 MEDIUM NICHE OCTAGON



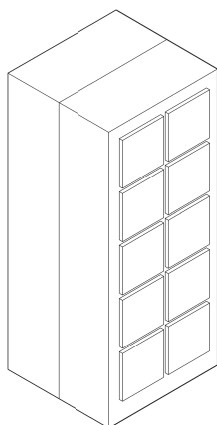
60 MEDIUM NICHE HEXAGON



50 MEDIUM NICHE PENTAGON



40 MEDIUM NICHE SQUARE



**20 MEDIUM NICHE
BACK-TO-BACK COLUMN**

The Modular Cube System™ (MCS)



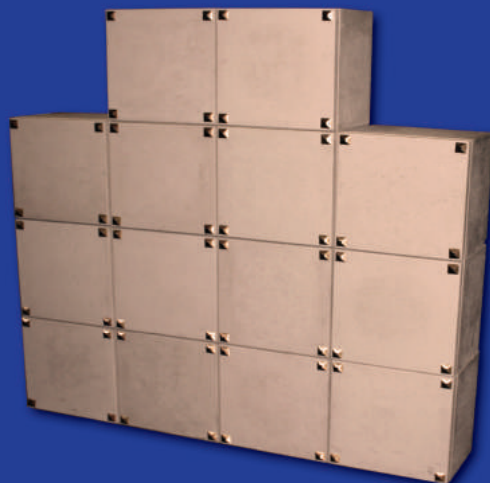
PHASE 1

Christy's Modular Cube System™ (MCS) is a truly expandable modular system that allows the cemetery to add additional niche inventory as needed. The unique attachment system allows for a finished look at any point in the phasing process. The sturdy Glass Fiber Reinforced Concrete (GFRC) Boxes have the Old World - Tuscan look and feel of natural Travertine.

The Modular Cube System™ (MCS) was designed to allow your grounds crew the ability to assemble and/or expand the niche feature easily, without the worry of expensive construction and disruption of the day to day activities of the cemetery.

The individual GFRC Boxes weigh approximately 160 pounds, avoiding the necessity of any specialized equipment for installation.

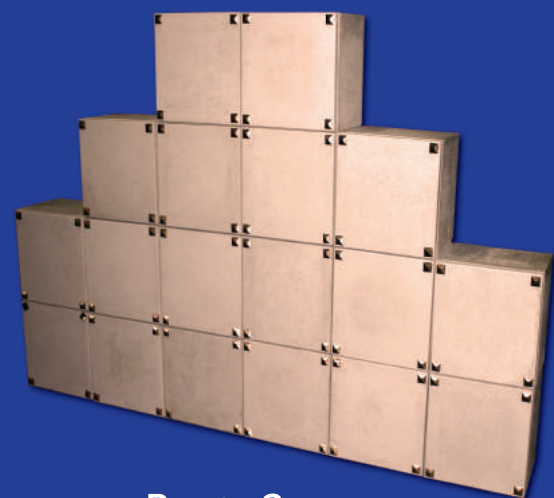
Christy offers help with conceptual design and 3D color renderings with the purchase of the Modular Cube System™ (MCS).



PHASE 2



Showroom Travertine Finish



PHASE 3



FEATURES

- Sturdy Glass Fiber Reinforced Concrete (GFRC) Boxes
- Truly expandable modular system
- add additional niche inventory as needed
- Designed to allow your grounds crew the ability to assemble and/or expand the niche feature easily
- The unique attachment system allows for a finished look at any point in the phasing process
- Avoid expensive construction and disruption of day-to-day activities of the cemetery

Please, give us a call to schedule a free consultation and see how the Modular Cube System™ (MCS) will fit into your property and budget.

Tel: (800) 229-8285
Fax (650) 756-4132
www.christyvault.com
Email: info@christyvault.com



Diamond Archive Series

the maintenance free advantage





The Diamond Archive Series Niches are professionally crafted with unsurpassed attention-to-detail. The design elements offer **a complete and lasting seal**, providing a niche that:

- **Protects** urns and other memorial items made with precious and semi-precious metals to resist oxidation.
- **Protects** the interior from intrusion by dust, dirt, and moisture
- **Protects** the interior by invasion of insects
- **Eliminates** maintenance costs from periodic cleaning of niche interior
- UV glass protects artifacts and photos against fading from direct sunlight. [optional]
- L.E.D lighting surrounds the interior with a gentle glow. [optional]

“these niches represent a new milestone in design & innovation.”

True Modular Construction

Each niche has a self-contained environment. Our unique design can be **modified** after installation. For example: A large niche can be removed and 4 small niches, or 2 medium niches can be installed in its place. Any configuration to accommodate the needs of your clients.

Available in three reconfigurable sizes:



Small
13 1/2" x 13 1/2"
Internal Dimensions



Medium
13 1/2" x 28 5/8"
Internal Dimensions



Large
28 5/8" x 28 5/8"
Internal Dimensions

The Diamond Archive Series can also be integrated with the Christy® Dura-Cast Niche System.

At Christy, we take pride in the quality of our niche products, the beauty of our installations, and our commitment to excellent customer satisfaction.

Please, give us a call to schedule a free consultation and see how the Diamond Archive Series™ will fit into your property and budget.

Tel: (800) 229-8285
Fax (650) 756-4132
www.christyvault.com
Email: info@christyvault.com

SCULPTED GLASS COLLECTION BY AMERICAN MEMORYCRAFT



THE ELEMENTS OF THE EARTH,

The Master Glass Blowers of Rogue Art Glass have been crafting the most complete line of hand blown glass cremation Urns and Keepsakes in the United States for grieving families around the world, since 2008. Our memorial lineup is known under the American MemoryCraft name, which is representative of exceptional American handcrafted workmanship. We produce the most accessible and affordable line of Venetian style glass that is consistently recognized for the highest levels of quality and consistency.

Each memorial glass keepsake from our studio, will be made by combining human hands and human breath to make your unique memorial perfectly suited for this purpose. This ancient art and age old natural synergy assures that each special memorial will be the only one like it. Appropriately, the unique spirit housed within, is represented as the individual that it is, not as one of thousands of others made on an assembly line.

The Master Glass Blowers, grips and apprentices working for American MemoryCraft (formerly known as Rogue Art Glass), are here to serve you and your family, have been working together for many years producing not only the finest Blown Glass Memorial Urns but every level of Blown Glass imaginable. The artist who contribute to American MemoryCraft's offering are exceptional master glass blowers and only contribute Urns and Keepsakes to our collection. They combine their talents and experience to produce the finest quality hand blown glass you will find anywhere.





THE AQUA URN (#RG104)



THE BELLA EVENING URN (#RG105)



THE MAJESTIC URN (#RG112)



THE MEDITERRANEAN URN (#RG101)



THE OCEAN BREEZE URN (#RG114)



THE ORLANDO URN (#RG108)



THE RUSTICA URN (#RG110)



SANORAN SANDS COMPANION URN (#RG300)

Cremation Choices

2018 Most Popular Urns

Wilbert



Cultured Marble Urns



Pricing subject to change

All trademarks, service marks, and registered trademarks are intellectual property of Wilbert Funeral Services, Inc. © Copyright 2018 Wilbert Funeral Services, Inc. All rights reserved. URN-16011201-r1801

Headquarters

Christy Vault Company, Inc.
1000 Collins Avenue
Colma, California 94014-3207

Tel: (800) 229-8285
Fax (650) 756-4132
Email: info@christyvault.com

Tulare Branch

Christy Vault Company, Inc.
9700 Avenue 256
Tulare, California 93274

Tel: (800) 287-4788
Fax (559) 686-0048
Email: info@christyvault.com

